



VIVAX
METROTECH

VM-880

Technical Specifications V1.8



Worldwide Locations

World Headquarters, United States of America

Vivax-Metrotech Corporation
3251 Olcott Street, Santa Clara, CA 95054, USA

T/Free : 1-800-446-3392
Tel : +1-408-734-3880
Fax : +1-408-904-4964
Website : www.vivax-metrotech.com
Email : SalesUSA@vxmt.com

Central/South America and the Caribbean

Ventas para América Latina
3251 Olcott Street, Santa Clara, CA 95054, USA

T/Free : 1-800-446-3392
Tel : +1-408-734-3880
Fax : +1-408-743-5597
Website : www.vivax-metrotech.com
Email : LatinSales@vxmt.com

Canada

Vivax Canada, Inc.
41 Courtland Ave Unit 8, Vaughan, ON L4K 3T3, Canada

Tel : +1-289-846-3010
Fax : +1-905-752-0214
Website : www.vivax-metrotech.ca
Email : SalesCA@vxmt.com

United Kingdom

Vivax-Metrotech Ltd.
Unit 1, B/C Polden Business Centre, Bristol Road, Bridgwater,
Somerset, TA6 4AW, UK

Tel : +44(0)1793 822679
Website : www.vivax-metrotech.co.uk
Email : SalesUK@vxmt.com

France

Vivax-Metrotech SAS
Technoparc - 1 allée du Moulin Berger, 69130 Ecully, France

Tel : +33(0)4 72 53 03 03
Fax : +33(0)4 72 53 03 13
Website : www.vivax-metrotech.fr
Email : SalesFR@vxmt.com

Germany

Metrotech Vertriebs GmbH
Am steinernen Kreuz 10a
96110 Schesslitz

Tel : +49 9542 77227-42
Website : www.vivax-metrotech.de
Email : SalesEU@vxmt.com

China

Vivax-Metrotech (Shanghai) Ltd.
Building 10, Lane 1158 Zhongxin Rd.,
Songjiang District, Shanghai, China, 201615







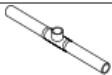
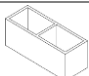
Tel : +86-21-5109-9980
Website : www.vivax-metrotech.com
Email : SalesCN@vxmt.com.cn

A. Description and Typical Applications

Item	Parameter
Model Name	VM-880 Magnetometer
Model Number	VX209-01
Description	VM-880 Ferrous Metal Detector
Uses	Locating & pinpointing buried ferrous objects

B. Nominal Locating Capability

Typical metal (ferrous or steel) objects are shown here. Depth indications are typical distances. The Depth range depends on the mass of the metal and may vary greatly from what is indicated below.

Depth	Ferrous or Steel	Depth	Ferrous or Steel
<i>Small PK Nail</i> Up to 6 in (15 cm)		<i>Cast Iron Pipe Joint</i> Up to 9 ft (2.7m)	
<i>1½ in(4 cm) Large PK Nail</i> Up to 10in (25 cm)		<i>Utility hole cover</i> Up to 10ft (3m)	
<i>Marker Stake</i> Up to 8ft (2.4m)		<i>5in Iron Pipe</i> Up to 10ft (3m)	
<i>Valve Box</i> Up to 10ft (3m)		<i>Large Iron Tank</i> Up to 16ft (4.8m)	

C. VM-880 Characteristics

Item	Parameter
Construction	<ul style="list-style-type: none"> Carbon fiber reinforced antenna tube High-impact thermoplastic (ABS) injection molded housing
Weight	1.54lbs (0.7kg)
Dimensions	43in(L) x 2.5in(W) x 2.6in(H) (1090mm x 88mm x 67mm)
Digital Display	Indicates polarity, signal level, battery condition and power signal warning
Piezo Speaker	Tone frequency increases or decreases with gradient field intensity.
Receiver Antennas	Dual magnetometers
Batteries	2 x AA (LR6) Alkaline batteries
Battery Life	Alkaline – typically 28 hours of continuous use at 70°F (21°C)
Controls	Pushbutton keypad: On/Off/Speaker, sensitivity “+” and “-” auto sensitivity, screen invert
Connectors	1 x mini-USB socket for programming

Approvals	<ul style="list-style-type: none"> Complies with European standard CE (Directive 99/5/EC) <ul style="list-style-type: none"> EN 55011 EN 61000-4-2 EN 61000-4-3 EN 61000-4-8 Complies with FCC Rules Part 15 <ul style="list-style-type: none"> CFR 47 Part 15: 2006
Manufacturing	Designed and manufactured per ISO 9001:2015
What's In the Box	<ul style="list-style-type: none"> VM-880 Receiver Soft carry bag Manual

D. Operational

Item	Parameter
Configuration	<ul style="list-style-type: none"> On/off/speaker <ul style="list-style-type: none"> Short press to turn on Short press toggles volume (zero, middle, max) Long press to turn off Auto Time Off <ul style="list-style-type: none"> Unit will shut down if no control button is touched for 15 mins. '+' increases sensitivity '-' decreases sensitivity Auto sensitivity pushbutton <ul style="list-style-type: none"> Adjust sensitivity to the center for a given magnetic field Long press to invert the screen

E. Environmental

Item	Parameter
Temperature Range	Operating: 14°F to 120°F (-10°C to 50°C) Storage: -40°F to 140°F (-40°C to 60°C)
Environmental	IP54
Shipping Weight	4.4lbs (2kg)
Shipping Dimension	47in(L) x 3in(W) x 6.7in(H) (1195mm x 80mm x 170mm)

F. Warranty

Item	Parameter
Warranty	12 months

G. Features

Item	Parameter	
Enhanced Features	<ul style="list-style-type: none"> Enhanced ergonomic design Visual and audible output Field polarity indication Superior sensitivity over a wide temperature range Rejects non-magnetic objects Weather resistant High rejection of power source 	<ul style="list-style-type: none"> Interference Lightweight High-impact construction Rugged Compact 50/60Hz power proximity warning Screen invert

Disclaimer: Product and accessory specifications and availability information are subject to change without prior notice.

Performance Disclaimer Actual performance may vary depending on environmental conditions, user technique, and signal interference.

Software & Firmware Disclaimer Functionality described may depend on the software or firmware version installed. Features are subject to modification through future updates.

Battery & Power Disclaimer Battery life is estimated and may vary based on settings, usage, temperature, and battery age.

Calibration Disclaimer Self-Test results confirm system consistency with factory calibration but do not replace periodic professional calibration if required by company policy or regulation.

Compliance Disclaimer Compliance with regional standards may vary by country. Users are responsible for ensuring the product is used in accordance with local laws and regulations.

Use Case Disclaimer The system is intended for professional utility locating and should not be used for purposes outside the manufacturer's defined scope.

Third-Party Services Disclaimer Use of GNSS correction services or cloud platforms may require third-party subscriptions and are subject to their terms and availability.

Feature Availability Disclaimer: Certain features, frequencies, or accessories may only be available in specific markets due to regional regulations or product certifications. Please consult your local Vivax-Metrotech representative for availability in your area.

Trademark Disclaimer: All product names, logos, and brands mentioned are the property of their respective owners. All company, product, and service names used in this document are for identification purposes only. Use of these names, logos, or brands does not imply endorsement.